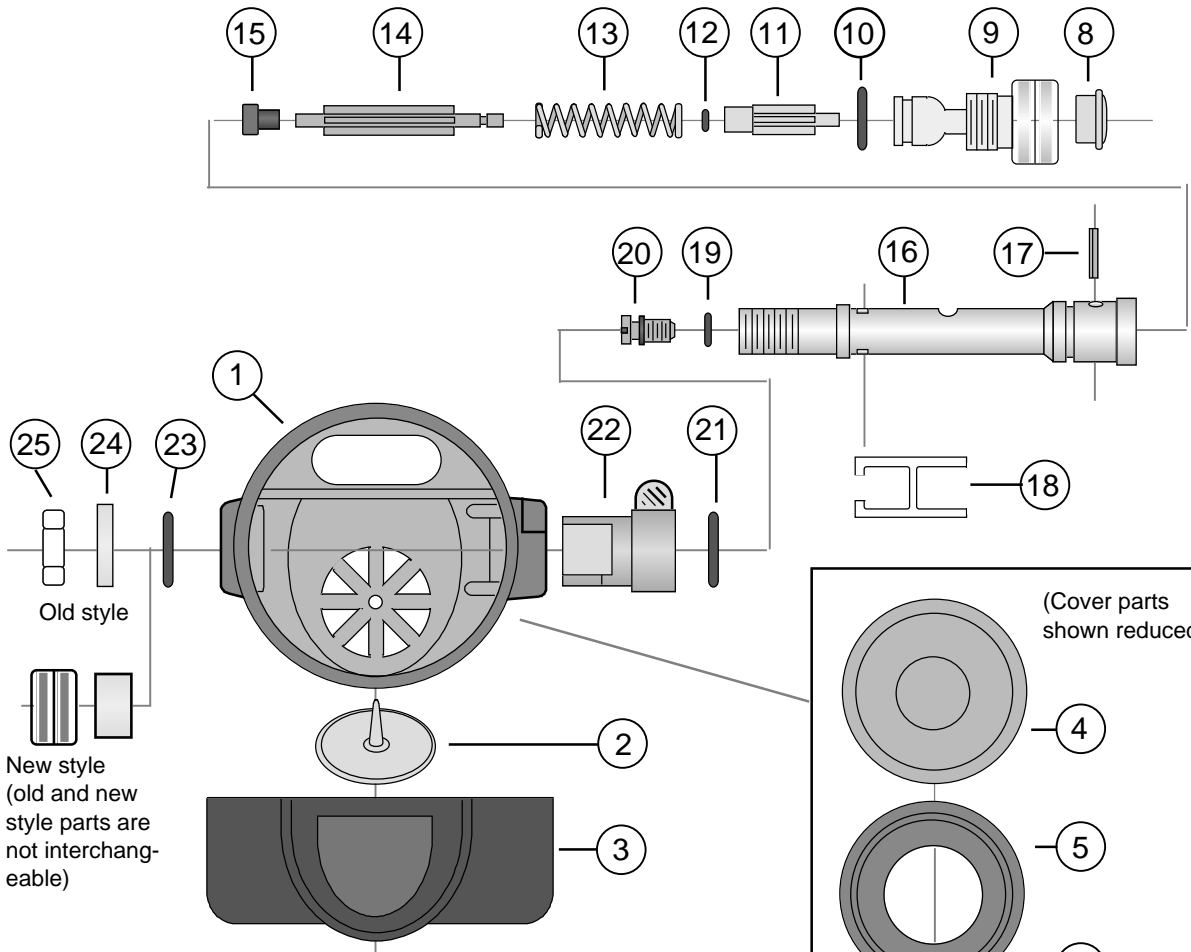
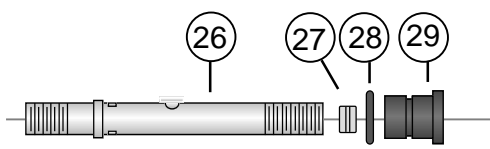


APEKS / ZEAGLE

Barrel Poppet Seconds



Models without the external adjuster use a different, longer air tube, which has external threads on both ends and is retained by a Valve Spindle Cap that takes the place of the adjuster knob.



"Must Replace" parts listed in **bold type** See "About the Schematics" note on page 30

1	Case	11	Counterbalance Cylinder	21	O-ring
2	Exhaust Valve	12	O-ring	22	Venutri control lever
3	Exhaust Tee	13	Spring	23	O-ring
4	Diaphragm	14	Shuttle Valve	24	Spacer Washer
5	Inner Cover	15	Rubber Valve Seat	25	Nut
6	Cover	16	Valve Body	26	Valve Body
7	Purge Valve	17	Spring Pin	27	Spring Plug
8	Plug	18	Lever	28	O-ring
9	Resistance Control	19	O-ring	29	Valve Spindle Cap
10	O-ring	20	Seat		